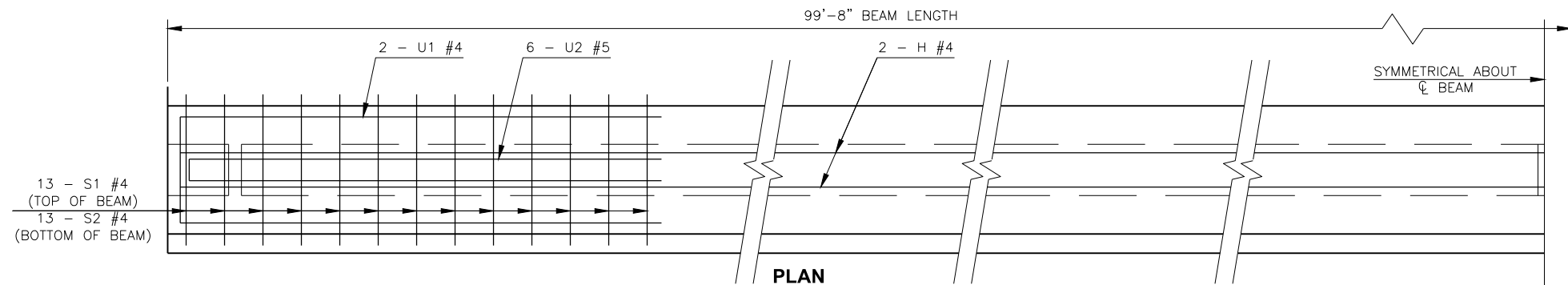
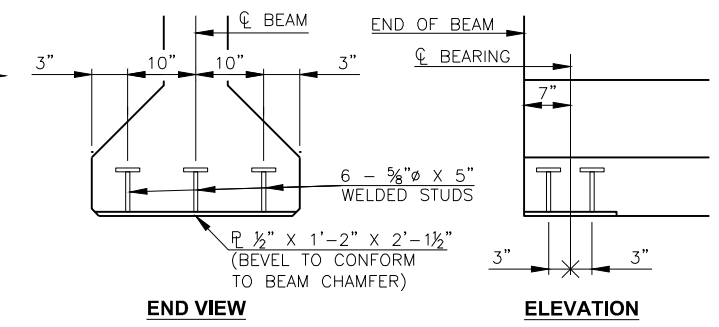
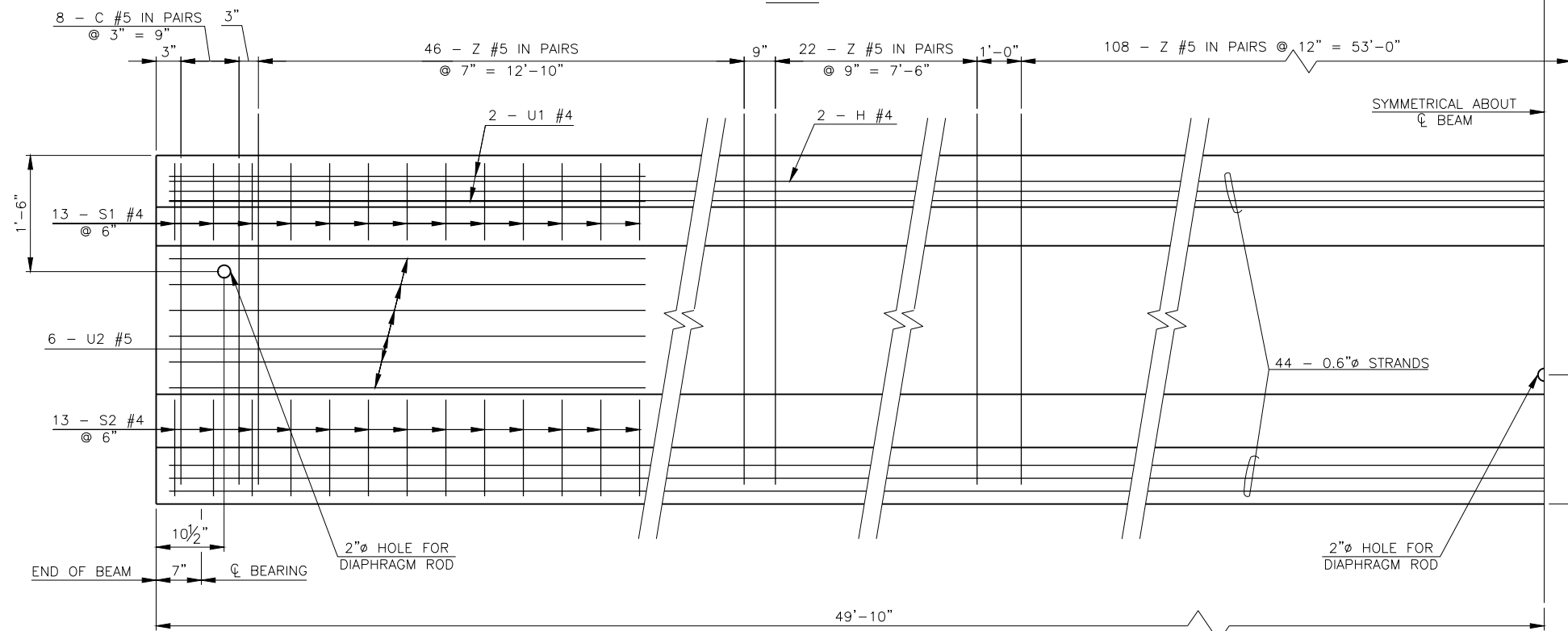
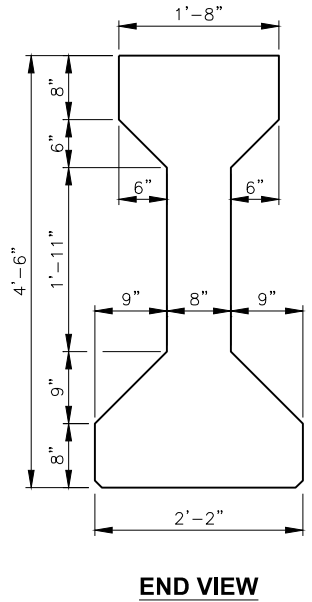


DESCRIPTION	REVISIONS	DATE

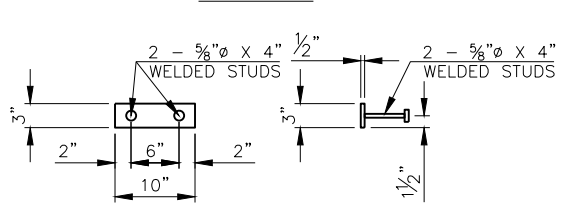
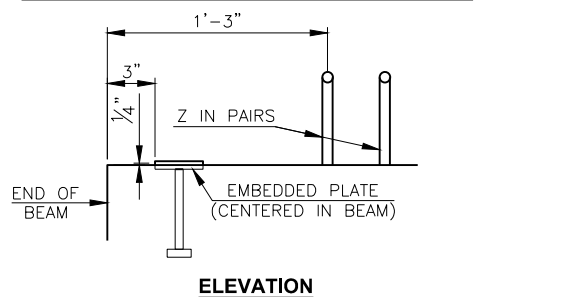


NOTE:
PROVIDE AN EMBEDDED
SOLE PLATE AT EACH
END OF THE BEAM.

PRESTRESSED CONCRETE BEAM NOTES
 COMPRESSIVE STRENGTH
 PROVIDE CONCRETE WITH A COMPRESSIVE
 STRENGTH OF 6,300 P.S.I. AT TRANSFER OF
 PRESTRESS AND 9,000 P.S.I. AT 28 DAYS.
 STRAND TYPE
 PROVIDE LOW-RELAXATION STRANDS HAVING A
 NOMINAL DIAMETER OF 0.6" WITH ULTIMATE
 TENSILE STRENGTH OF 270 K.S.I.

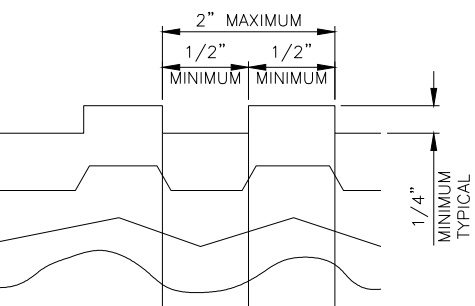


EMBEDDED SOLE PLATE DETAILS



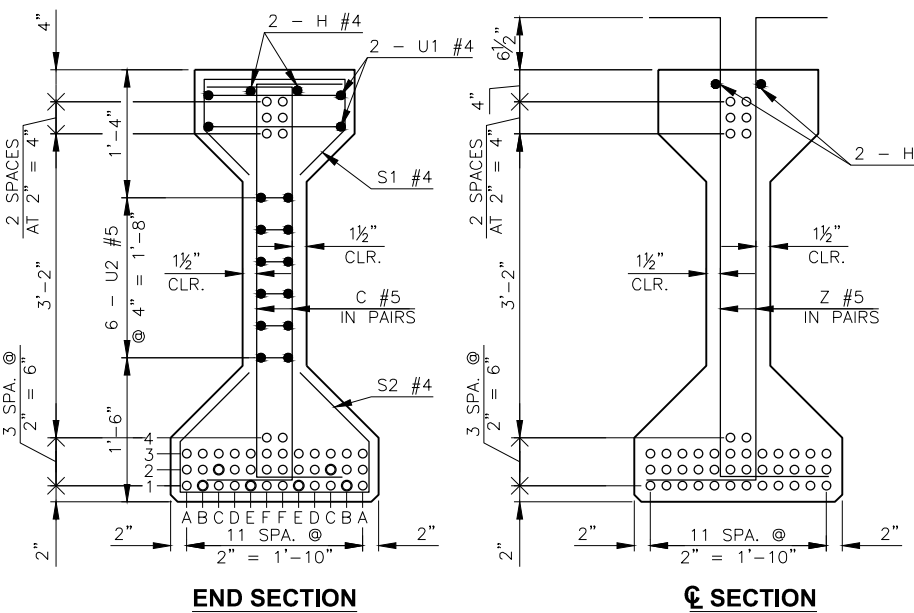
EMBEDDED BEAM PLATE DETAILS

NOTE:
PROVIDE AN EMBEDDED BEAM
PLATE AT EXPANSION ENDS ONLY.

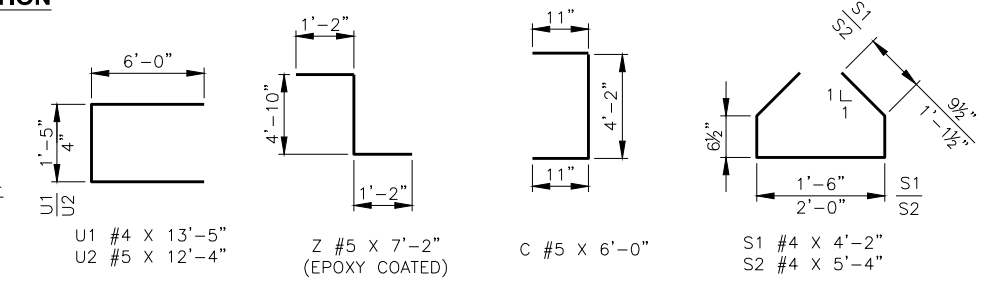


INTENTIONALLY ROUGHENED SURFACE DETAILS

TOP SURFACE OF P.C. BEAMS SHALL BE INTENTIONALLY
 ROUGHENED TO A MINIMUM HEIGHT OF 1/4" OVER A
 MAXIMUM PITCH OF 2" MEASURED LONGITUDINALLY ALONG
 THE LENGTH OF THE BEAM. THE CREST AND TROUGH
 ASSOCIATED WITH THE HEIGHT SHALL NOT BE LESS THAN
 1/2" AND SHALL EXTEND THE FULL WIDTH OF THE TOP
 FLANGE. PRODUCE THE ROUGHENED SURFACE BY USING
 A SPECIAL TROWEL TO FORM ONE OF THE SURFACES
 SOWN IN THE DETAILS, BY CLEANING THE CONCRETE
 SURFACE WITH A STIFF WIRE BRUSH (OR BLASTING)
 TO THE EXTENT THAT AGGREGATE IS EXPOSED TO A HEIGHT
 OF 1/4", OR BY ANOTHER APPROVED METHOD. THE
 METHOD USED SHALL BE SUBMITTED FOR APPROVAL BY
 THE ENGINEER. REPAIR ANY DAMAGE TO THE
 REINFORCEMENT'S EPOXY COATING BEFORE PLACEMENT
 OF DECK CONCRETE.



BEAM SECTIONS
(44 - 0.6" STRANDS)



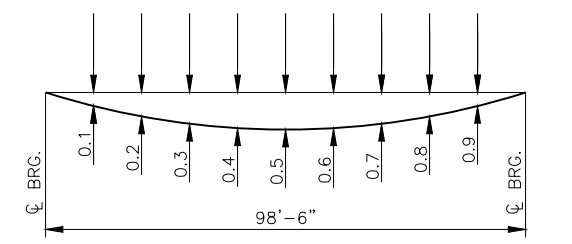
DEAD LOAD DEFLECTION SCHEDULE AT TENTH POINTS

BEAM LINE	LOAD	CL BRG.	0.1	0.2	0.3	0.4	0.5	0.6	0.7	0.8	0.9	CL BRG.
1&5	1	0.00"	0.47"	0.91"	1.26"	1.48"	1.56"	1.48"	1.26"	0.91"	0.47"	0.00"
2-4	1	0.00"	0.51"	0.96"	1.32"	1.56"	1.64"	1.56"	1.32"	0.96"	0.51"	0.00"

1 DECK SLAB, DIAPHRAGMS, HAUNCH AND CONCRETE TRAFFIC RAIL. DOES NOT
 INCLUDE BEAM WEIGHT OR FUTURE WEARING SURFACE.

DEBOND SCHEDULE

DEBOND PAIR	DEBOND LENGTH FROM END OF BEAM
B1	16'-0"
D1	8'-0"
C2	4'-0"



DEAD LOAD DEFLECTION DIAGRAM

DESIGN	B.J.K.	SH-48 OVER CIMARRON RIVER	CREEK COUNTY
DRAWN	B.M.S.	BEAM DETAILS (SPAN 1-2)	
CHECKED	M.R.S.		
APPROV.	B.J.K.		
SQUAD	CEC		
JOB PIECE NO. 27925(04)		SHEET NO. 51	